



Workholding Systems NC

clamping against the fixed jaw, mechanically operated with hydraulic force transmission
 jaw widths 100, 125 and 160 mm



Advantages

- Steel base resistant to deformation
- Hydraulic force transmission
- Hardened and ground guideways
- Extensive range of jaws
- Easy clamping range adjustment by quick socket pin adjustment
- Angle drive or clamping force preselection can be retrofitted (accessories)
- Optional clamping force display
- Minimum set-up times
- Tapped hole in the fixed jaw for workpiece stop
- Clamping edge for clamping claws
- Quick cleaning by simple removal of the slide
- Longitudinal and crosswise keyways 20 H7 for quick positioning in accordance with NC requirements
- Different overall lengths for optimum adaptation to the machine table and the interfering edges in the machining centre

Application

Workholding systems NC are advantageously used in vertical machining for die, mould and fixture construction.

Accessories

See data sheet WS 1.300Z

- Top jaws
- Clamping and quick-change jaws
- Clamping force preselection
The clamping force preselection enables the force to be applied in 6 stages up to the maximum.
- Angle drive
An angle drive that can also be retrofitted facilitates the operation, e.g. in the case of longitudinal clamping on the machine table.
- Workpiece stops
- Accessories for fixation

Delivery

- Standard jaws smooth/serrated
- Crank handle

Application example



Workholding systems NC 125 with clamping force display

Description

The workholding systems of the series NC can be flexibly and quickly adapted to the most varied clamping ranges because of their socket pin adjustment.

By means of the longitudinal and crosswise keyways 20 H7, the NC can be positioned quickly and in accordance with NC requirements

Step jaw inserts are available as accessories, to extend the clamping range.

The workholding system can be easily and quickly cleaned by pulling out the socket pin and removing the clamping slide from the base. Thus cost intensive downtimes will be reduced.

Version with clamping force display

The version with clamping force display allows a continuous and precise clamping force application. This offers enormous advantages for roughing and finishing operations, for example. The high-precision reproducibility of the clamping forces guarantees a maximum possible repetitive accuracy of the clamping processes. Furthermore, the clamping force display ensures a high degree of safety even when using grip jaws due to the permanent clamping and system control.

Application video



www.youtube.com/watch?v=HXjrOdDE1Ww

Technical data

Clamping principle: **clamping against the fixed jaw**
 Operation: **mechanical**
 by crank handle with hydraulic force transmission

NC 100

Jaw width: 100 mm
 Clamping force: 25 kN
 Lengths of the base: 380 and 540 mm
 Max. jaw opening: 386 and 546 mm

NC 125

Jaw width: 125 mm
 Clamping force: 40 kN
 Lengths of the base: 430, 560 and 720 mm
 Max. jaw opening: 431, 561 and 721 mm

NC 160

Jaw width: 160 mm
 Clamping force: 50 kN
 Lengths of the base: 550 and 750 mm
 Max. jaw opening: 573 and 773 mm

Consultation

Our experts will be pleased to advise you also on site, and work with you to find the optimum clamping solution.

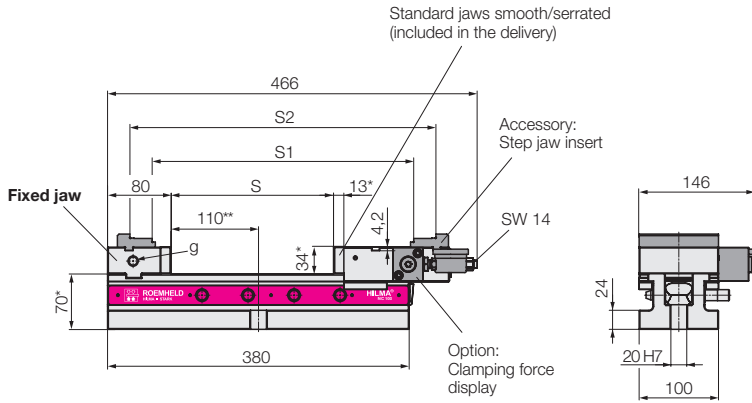
Extensive information such as drawings and CAD models are available on request.

Technical data • Dimensions

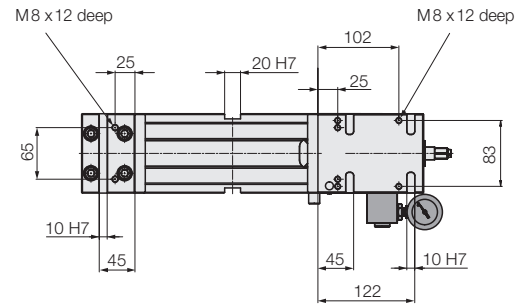
NC 100

NC 100

Length of the base 380 mm

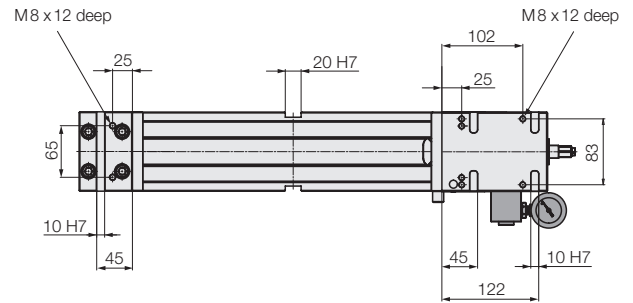
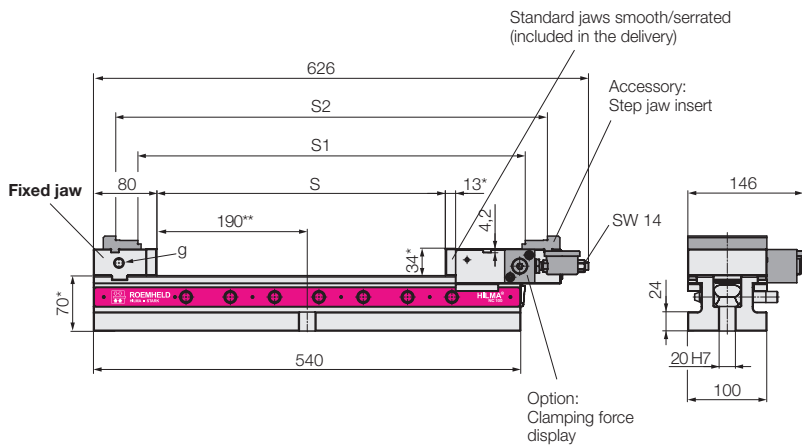


View from above



NC 100

Length of the base 540 mm



* Tolerance ± 0.01 mm
 ** Tolerance ± 0.02 mm
 All dimensions in [mm]

Series		NC 100	NC 100
Clamping principle		fixed jaw	fixed jaw
Operation		mechanical	mechanical
Clamping force	[kN]	25	25
Clamping range S ¹⁾	[mm]	0–205	0–365
Clamping range S1 ¹⁾	[mm]	125–330	125–490
Clamping range S2 ¹⁾	[mm]	181–386	181–546
Length of the base	[mm]	380	540
g on both sides	[mm]	M12 x 18	M12 x 18
Weight with clamping jaws	[kg]	18.5	28.5
Part no.		930720203	930720303
Part no. with clamping force display		930720213	930720313

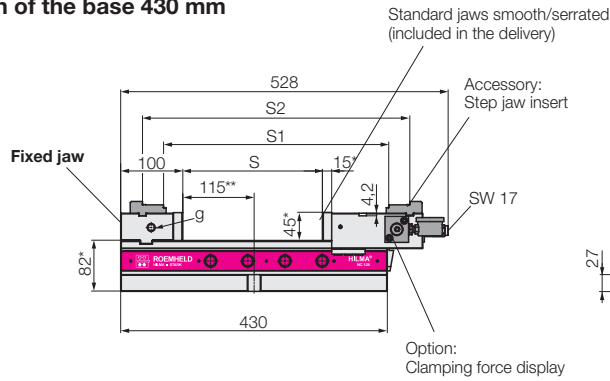
¹⁾ with the clamping jaws shown. Further clamping jaws and accessories on data sheet WS 1.300Z.

Technical data • Dimensions

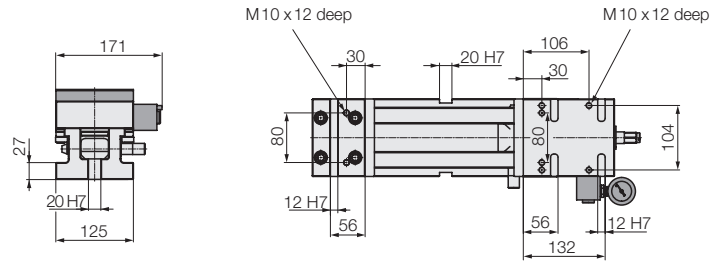
NC 125

NC 125

Length of the base 430 mm

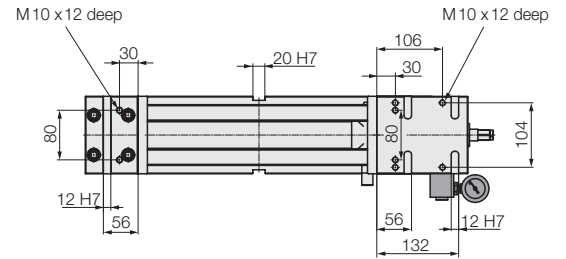
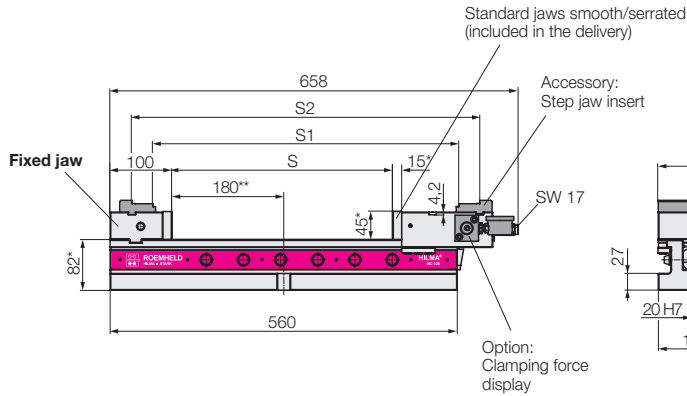


View from above



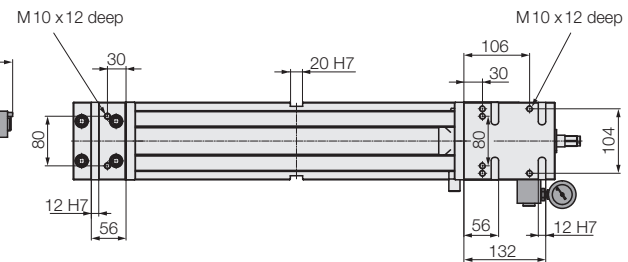
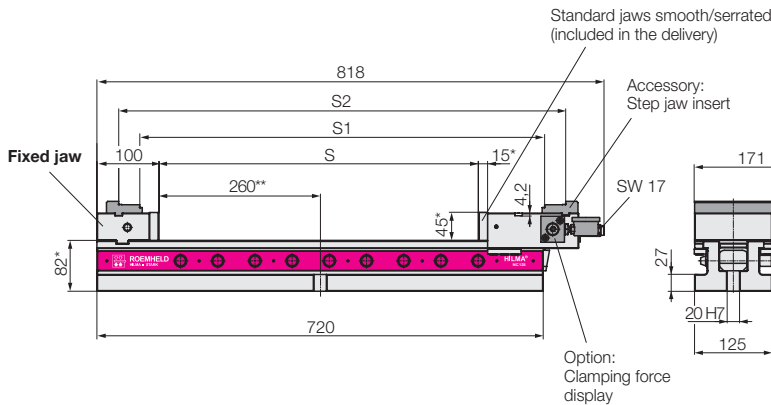
NC 125

Length of the base 560 mm



NC 125

Length of the base 720 mm



* Tolerance ± 0.01 mm
 ** Tolerance ± 0.02 mm
 All dimensions in [mm]

Series		NC 125	NC 125	NC 125
Clamping principle		fixed jaw	fixed jaw	fixed jaw
Operation		mechanical	mechanical	mechanical
Clamping force	[kN]	40	40	40
Clamping range S ¹⁾	[mm]	0–225	0–355	0–515
Clamping range S1 ¹⁾	[mm]	138–363	138–493	138–653
Clamping range S2 ¹⁾	[mm]	206–431	206–561	206–721
Length of the base	[mm]	430	560	720
g on both sides	[mm]	M12 x 18	M12 x 18	M12 x 18
Weight with clamping jaws	[kg]	31.5	41.5	48.8
Part no.		930 73 0203	930 73 0303	930 73 0403
Part no. with clamping force display		930 73 0213	930 73 0313	930 73 0413

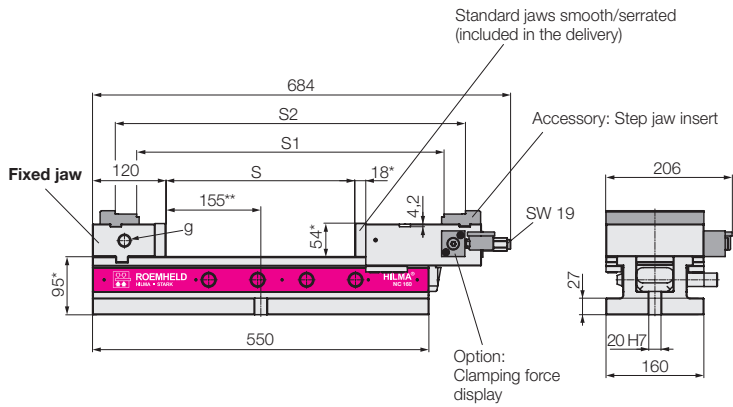
¹⁾ with the clamping jaws shown. Further clamping jaws and accessories on data sheet WS 1.300Z.

Technical data • Dimensions

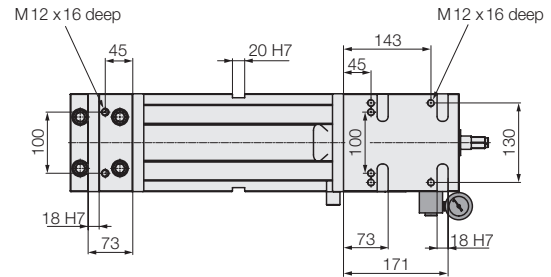
NC 160

NC 160

Length of the base 550 mm

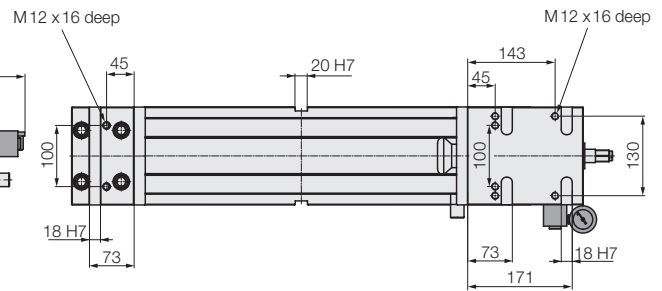
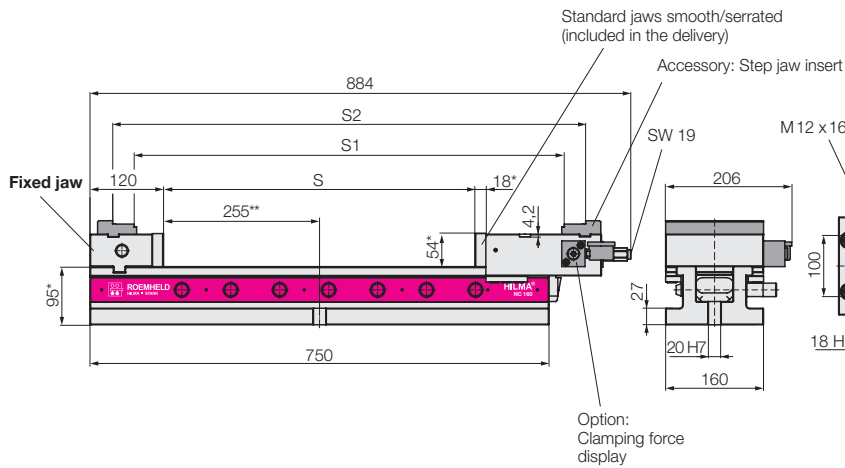


View from above



NC 160

Length of the base 750 mm



* Tolerance ± 0.01 mm
 ** Tolerance ± 0.02 mm
 All dimensions in [mm]

Series		NC 160	NC 160
Clamping principle		fixed jaw	fixed jaw
Operation		mechanical	mechanical
Clamping force	[kN]	50	50
Clamping range S ¹⁾	[mm]	0–308	0–508
Clamping range S1 ¹⁾	[mm]	194–502	194–702
Clamping range S2 ¹⁾	[mm]	264–572	264–772
Length of the base	[mm]	550	750
g on both sides	[mm]	M20x27	M20x27
Weight with clamping jaws	[kg]	58.5	75.6
Part no.		93074 0203	93074 0303
Part no. with clamping force display		93074 0213	93074 0313

¹⁾ with the clamping jaws shown. Further clamping jaws and accessories on data sheet WS 1.300Z.